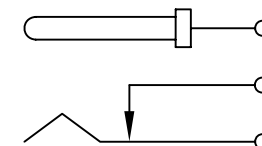


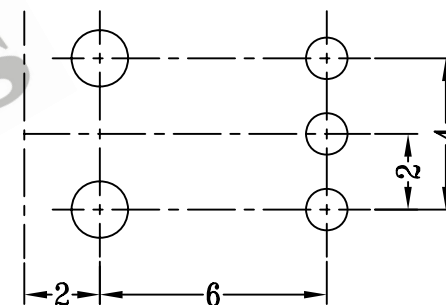
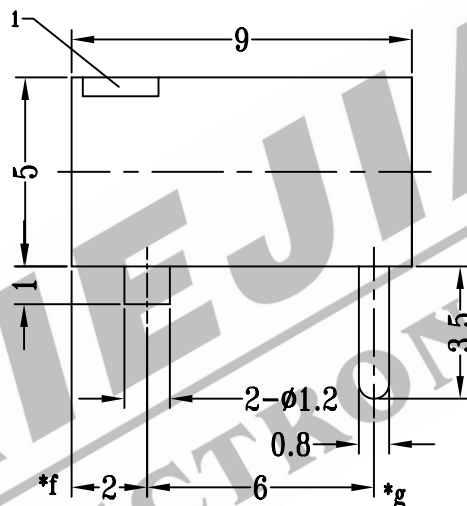
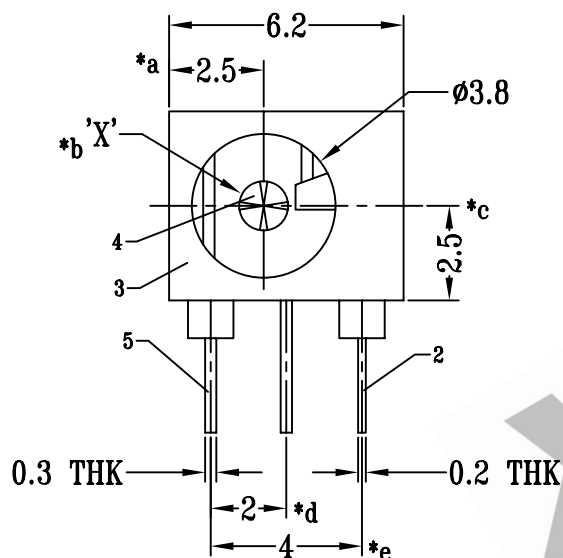
CAD FILE:

DIA.OF PIN'X' E=1.0mm

DIA.OF PIN'X' D=1.3mm



SCHEMATIC



P.C.B LAYOUT

注:带 "*" 表示关键尺寸(7个)

| |
|-------------------------|
| DIA. OF PIN 'X' E=1.0mm |
| DIA. OF PIN 'X' D=1.3mm |

| NO. | PARTS | MATERIALS | Q'TY | FINISH | TOLERANCE UNLESS SPECIFIED | SHENZHEN XIEJIA ELECTRONICS CO.,LTD. | | | | |
|-----|-----------------|-------------|------|--------------------------|-----------------------------------------|--------------------------------------|------|--------------------------|-----------|-----------|
| 8 | | | | | | | | | | |
| 7 | | | | | | | | | | |
| 6 | | | | | WITHIN : 1.5±0.1mm OVER : 1.5±0.2mm | ISSUE | DATE | DESCRIPTIONS OF REVISION | | APPD. |
| 5 | TERMINAL | BRASS STRIP | 1 | Ag PLATED OVER Ni PLATED | | | | | | |
| 4 | CASE | NYLON | 1 | BLACK | TITLE : DC POWER JACK | UNIT : mm | | DRWG NO.: XJ-DR-DS213-00 | | |
| 3 | PLUG PIN | BRASS STRIP | 1 | Ag PLATED OVER Ni PLATED | MODEL: DS-213 | SCALE: 5 : 1 | | DWN. | ZHOUYU | 2004-7-28 |
| 2 | SPRING TERMINAL | 0.2mm SUS | 1 | Ag PLATED OVER Ni PLATED | ALL MATERIALS MUST BE COMPLIANT TO ROHS | | | CHK'D | FANGYING | 2004-7-28 |
| 1 | COVER | NYLON | 1 | BLACK | | | | APPD. | KANGXINAN | 2004-7-28 |